

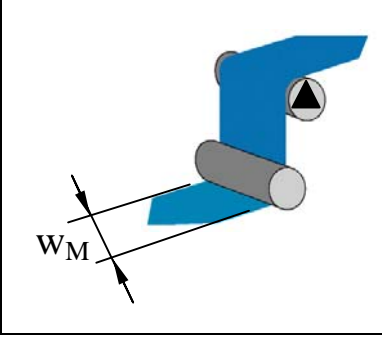
# Data Acquisition Form for FMS Force Measuring Rollers RMGZ900 serie



To suggest a specific offer, we need some information about your application.  
Please complete the data sheet as much as possible and return it to us. Thank you.

**Please fill in and send to the below address.**

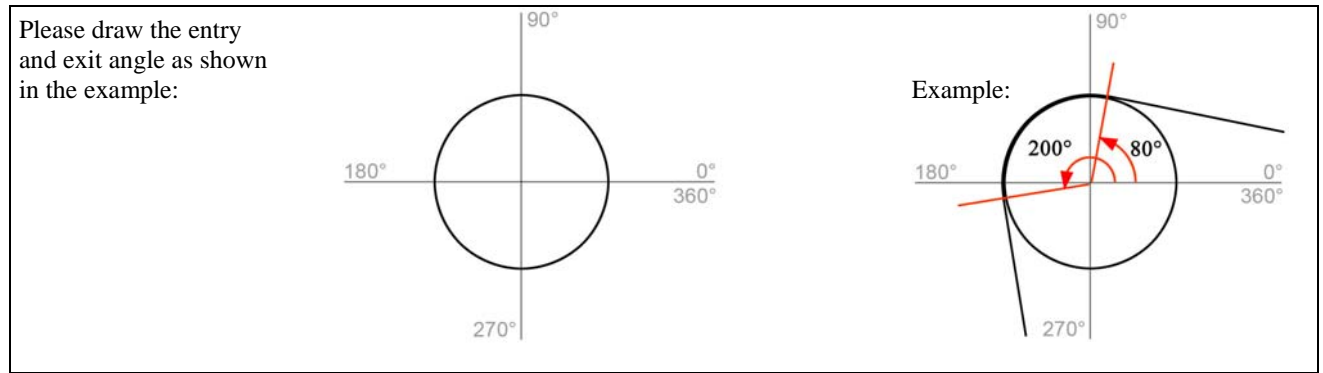
Name : _____	Phone : _____
Company : _____	Project : _____
Material : _____	
Material width ( $w_M$ ) max: _____ min: _____ [mm]	
Material speed v : _____ [m/min]	
Total material tension max: _____ min: _____ [N]	
Roller diameter : _____ [mm]	
Roller surface or coating : _____	
Required bearing lifetime : _____ [h]	



Sensor type / options:

with straight plug (standard)     
  with right-angle plug (H14)     
  Temperatures up to 120°C (H16)

other: \_\_\_\_\_



Remarks:

<p><b>World Headquarters:</b>  <b>FMS</b>  <b>Force Measuring Systems AG</b>                  Aspstrasse 6                  8154 Oberglatt (Switzerland)                  Phone + 41 44 852 80 80                  Fax + 41 44 850 60 06                  info@fms-technology.com  <b>www.fms-technology.com</b></p>	<p><b>FMS USA, Inc.</b>                  2155 Stonington Avenue,                  Suite 119                  Hoffman Estates, IL 60169                  Phone 847 392 7872                  Fax 847 392 7873                  fmsusa@fms-technology.com</p>	<p><b>FMS UK</b>                  Highfield, Atch Lench Road                  Church Lench                  Evesham WR 11 4UG                  Phone 1386 871023                  Fax 1386 871021                  fmsuk@fms-technology.com</p>	<p><b>FMS Italy</b>                  Via Baranzate 67,                  I-20026 Novate Milanese                  Phone 02 39487035                  Fax 02 39487035                  fmsit@fms-technology.com</p>
--	---	---	---